



Yes, you can.[®]

Invacare[®] ScanBed 755TM



User Manual (GB)
Brugermanual (DK)
Bruksanvisning (SE)
Brukerveiledning (NO)
Bedienungsanleitung (DE)
Gebruiksaanwijzing (NL)
Manuel d'utilisation (FR)
Manuale d'uso (IT)



Contents

1. General information	7
2. Operation of the SB755TM	8
3. Information	12
4. Receiving the SB755TM	13
5. Fitting the accessories	17
6. Disassembly/assembly of the SB755TM	24
7. Wiring	28
8. Order numbers for accessories	29
9. Maintenance and check-ups	32
10. Beds equipped with back-up battery	32
11. Maintenance chart	34
12. Trouble-shooting the electrical system	35
13. Lubrication plan	35
14. Cleaning	36
15. Technical specifications	36
16. Electrical data	37
17. Weight	38
18. Disposal	38

GB

Congratulation

Congratulations with your choice of the *Invacare*® **SB755**TM nursing bed.

Please read the entire user manual carefully before using or servicing the bed.
If you have any questions concerning the use or maintenance, please contact us.

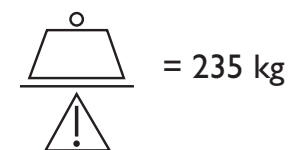
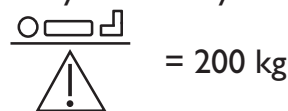
All indications of right and left are based on a patient lying on his back in the bed.

Please note that there may be sections in this user manual, which are not relevant for your bed.

I. General information

I.1 Product use

- The bed has been developed for patients over 12 years of age requiring residential or home care nursing.
- The bed combines excellent stability and ergonomic design with easy disassembly and operation.
- The unique backrest return of the bed provides the patient with excellent comfort and the carer with ideal conditions for an ergonomically correct working position.
- The max. patient weight is 200 kg, provided that the weight of the mattress and the accessories do not exceed 35 kg. (Safe working load weight: max. 235 kg).
- In order to optimize the patient's comfort, *Invacare*® recommends using a 12-18 cm mattress in combination with Line side rails.



I.2 Certification

- The **SB755**TM is CE-marked in accordance with directive 93/42/EEC concerning Medical Apparatus.
- The **SB755**TM is tested and approved by TÜV SÜD Product Service GmbH according to EN 1970.
- **SB755**TM electrical system is tested and approved in accordance with EN 60601-1 and EN 60601-1-2 by UL Demko.
- The **SB755**TM has undergone a risk analysis according to EN 14971.



The **SB755™** bed fulfills all requirements regarding maximum distances. However, if the bed is used for the care of patients with small body dimensions, it must be especially noted that there is a risk of such a patient slipping through the openings between the side rails or through the opening between the side rail and the mattress support.



The bed must not be used by patients under 12 years of age, or by patients with body size equivalent to an average 12 years old or smaller.



The bed, in combination with side rails, must not be used for persons under 45 kg or under 150 cm's height, or for persons that are restless (spasms) or confused, unless a professional risk assessment has taken place and been accepted, or a correctly installed safety cover on the side rails are used.



When using side rails and the according safety cover, it is essential to ensure correct fitting - **otherwise there is danger of entrapment / suffocation between mattress support, side rail and bed end!**



If the bed is used by restless (spasms) or confused persons, an ACP box can be used for blocking the hand control functions, and / or a limitation cross bar installed under the leg section of the mattress support. This cross bar will prevent the leg section from being lowered below the level of the mattress support, thereby reducing the opening between leg section and bed end.



Ensure the bed is adjusted to it's lowest position before leaving the bed unattended - thereby the effect of fall-down / entrapment accidents is reduced. There is risk of squeezing in the Victoria bed end (with removable plate). Always make sure the plate is correctly secured by pulling the plate upwards after installation.



Invacare® accepts no liability for any use, change or assembly of the product other than as stated in this User Manual.

When entering or exiting the bed, the height adjustment should be used. Furthermore, the backrest can be used as support (yellow button on the hand control). However, the thigh- and leg section must be horizontal, otherwise, there is risk of overloading of the mattress support.

2. Operation of the SB755™

The bed can be equipped with two types of hand control.
(Soft Control):



- ← Height adjustment of the bed UP/DOWN
- ← Sitting position, irrespective of present position
- ← Horizontal mattress support, irrespective of present position
- ← “Out of bed button” - Raises the backrest and brings the thigh section to horizontal
- ← Raises the thigh section and brings the backrest to horizontal
- ← Adjustment of leg section UP/DOWN

Or with this type of hand control
(HL 80 with integrated ACP function)



- ← Sitting position
- ← Backrest
- ← Leg section
- ← Thigh section
- ← Height adjustment of the bed

Or with this type of hand control (HB 80)



-
-
-
-
-

Key for locking and unlocking the electrical functions

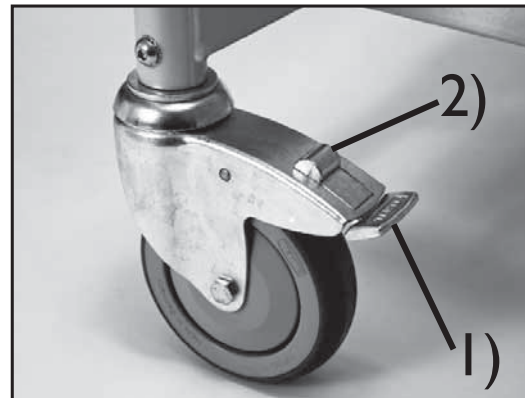
← Insert the key below each button to respectively lock and unlock the hand control functions

Operating the braking castors

Operating castors without central braking system

When the bed is positioned correctly, at least one castor at the head section and one castor at the foot section must be locked.

- 1) **Braking:** Step on the pedal.
- 2) **Releasing the brake:** Step on the release pedal.



Operating castors with central braking system

When the bed is positioned correctly, it must be locked.

- 1) **Braking:** If the brake is in neutral, step on the red pedal.
- 2) **Releasing the brake:** Step on the green pedal, until the brake is in neutral position.



Operating the steerable castor

The **SB755™** with central braking system may be equipped with a steerable castor. The steerable castor is operated by means of the central braking pedal.

- 1) **Activating the steering:**
If the brake is in neutral, step on the green pedal.
- 2) **Deactivating the steering:**
Step on the red pedal, until the brake is in neutral position

Set-off from the castors might under special conditions appear at different types of absorbing floor covering - including untreated or badly treated floors. In matters of doubt, *Invacare®* recommends to place a suitable kind of protection between the castors and the floor.



Always apply the brakes when there is no need for moving the bed, to avoid accidents during entering or exiting the bed, and during handling of the patient.

Placement in the room

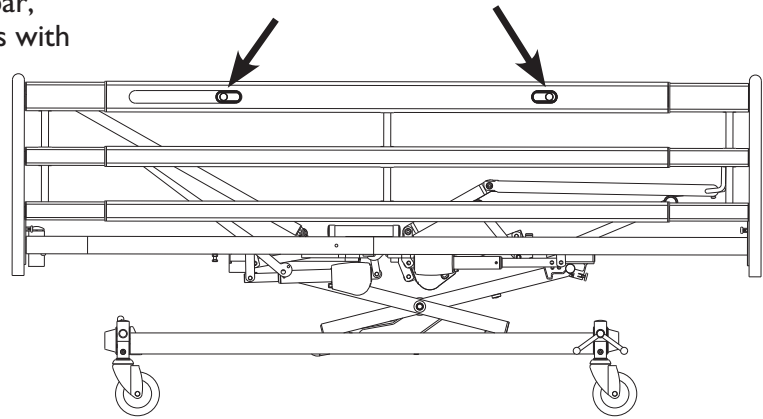


The bed must be placed so that the height adjustment (up/down) is not obstructed by, for example, lifts or furniture. Otherwise there is a risk for injury on user and/or equipment.

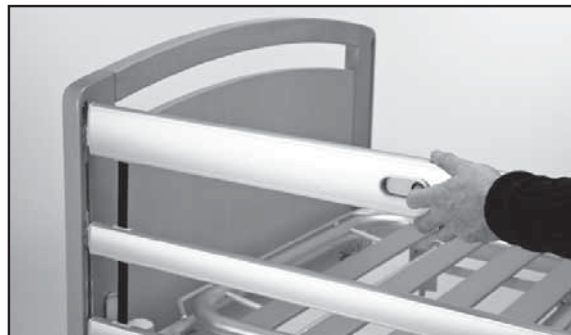
Operating Line side rail

Up: Pull up the top side rail bar, until the locking pin locks with an audible click.

Down: Lift the top side rail bar and press the two locking pins together. Lower the side rail.



Lift



Release



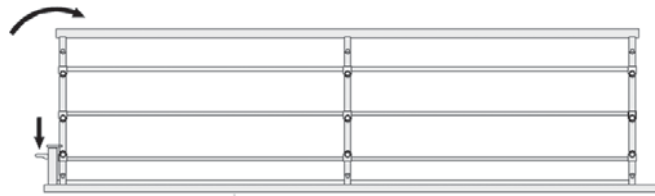
Lower



Operating the steel side rail

Up: Lift and pull the top steel bar of the side rail towards the end with the locking mechanism. Ensure it is locked in place.

Down: Press the release button and push the top bar of the steel side rail away from the locking mechanism.



There is risk of entrapment of fingers on assembly and operation of the side rails. Please ensure that the side rail locking system has engaged properly by pulling / pushing the upper bar.

GB

Adjusting the height of the lifting pole

Loosen the cord as shown in **fig. A**. The lifting handle can now be adjusted to the desired height. Press the cord together as shown in **fig. B** and check that the cord is locked in the cord lock by pulling the handle in **fig. C**.



Position the lifting pole in such a way that the handle is above the bed. If the lifting pole is used while the handle has been turned away from the bed - the bed can tip when the handle is used.

Technical part

Invacare® EC-Høng A/S is certified according to DS/EN ISO 9001 and ISO 13485 which ensures that our customers are always supplied with *Invacare*® EC-Høng A/S products of uniform quality.

Throughout the entire production process our materials and products are quality controlled by the operators.

Furthermore there is a final test when the product is fully assembled.

The operator carrying out the final test, which comprises of checking all movable parts, motors and castors, issues a QA number on the product thereby confirming its quality. If the product does not correspond to the quality demands of *Invacare*® EC-Høng A/S, it will be discarded.

QA XXX

If, contrary to our expectations, a problem should arise in connection with the delivered product, please contact your *Invacare*® supplier.

3. Information

Please read the entire technical information section carefully before using or servicing the bed. All indications of right and left are based on a patient lying on his back in the bed.

Please note that there may be sections in this user manual, which are not relevant for your bed.

- The **SB755**TM is CE-marked in accordance with directive 93/42/EEC concerning Medical Apparatus.
- The **SB755**TM is tested and approved by TÜV SÜD Product Service GmbH according to EN 1970.
- **SB755**TM electrical system is tested and approved in accordance with EN 60601-1 and EN 60601-1-2 by UL Demko.

Max. patient weight: 200 kg.

The hand control, control unit and motors are protected according to IP 66. A lock cam must be used on the control unit - if not, *Invacare*® EC-Høng cannot guarantee the IP protection.



Electromagnetic interference between the bed and other electrical products can occur. To reduce or eliminate such electromagnetic interference, increase the distance between the bed and the products or switch them off. This medical bed can be used together with medical electrical equipment connected intravascularly or intracardially, provided that following points are respected:

- The medical bed should be equipped with means for potential equalization connection marked out by a symbol shown in the back of this manual.
- Medical electrical equipment should not be fixed on the bed's metallic accessories such as side rails, lifting pole, drip rod, bed ends ect.

In addition, the medical electrical equipment power supply cord should be kept clear of the accessories or any other moving part of the bed.

If the functions of the bed change, please send the bed immediately for a check-up according to the maintenance chart, chapter 12.

4. Receiving the SB755™



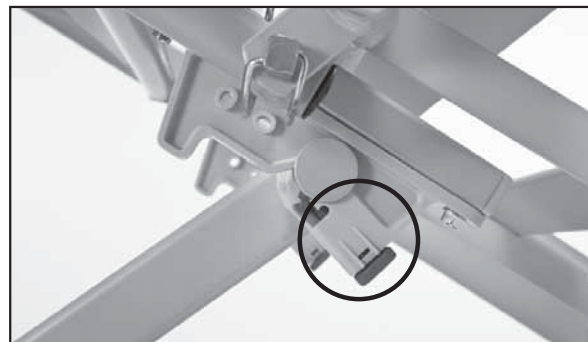
To avoid condensation, the bed should not be used until it has reached a temperature of 10-50° C.



Check whether the bed shows any signs of damage. If the bed is damaged, see terms of delivery.

If the bed has been delivered in parts, it must be assembled. Cf. chapter 6 “Disassembly/ Assembly of the SB755™”.

Check, that the connection between mattress support and base frame is properly locked (cf. the picture).



Locked pin / snap lock

Check that all plugs of the motors and hand control are correctly connected to the control unit according to the printed symbols. Check that top frame head- and foot are completely pushed together, that the lock pin is engaged, that the seat section is completely down, and that bed ends are correctly attached.



Unlocked pin / snap lock

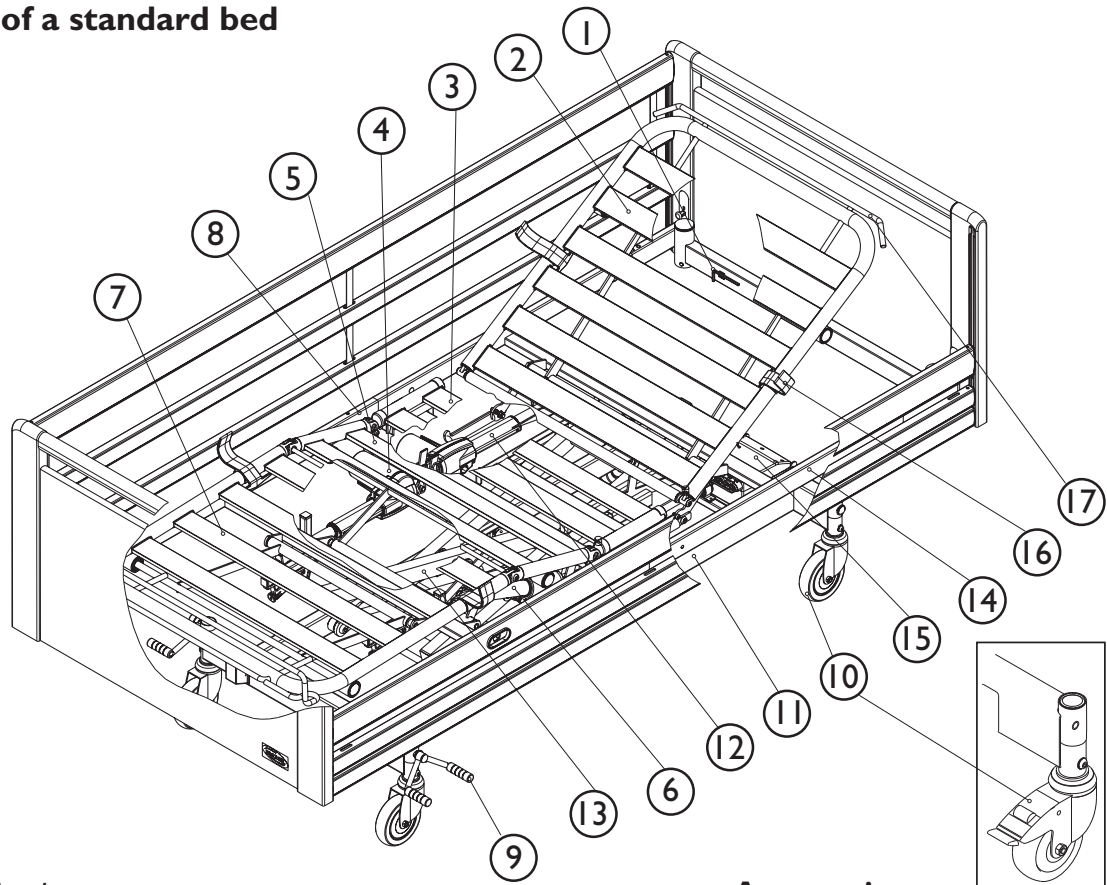


Disconnect the plug from the mains before moving the bed. The cable must be kept clear off the floor and the castors during transport.

Connect the SB755™ to the mains.

Mount the accessories: Bed ends, side rails, lifting pole and bumper wheel. Cf. chapter 5 “Fitting the accessories”.

Parts of a standard bed



1. Allen key
2. Backrest
3. Seat section
4. Leg section motor
5. Thigh section
6. Thigh section motor
7. Leg section
8. Top frame, foot end
9. Brake pedal for beds provided with central brake

10. Brake for beds provided with brake castors
11. Base frame
12. Backrest motor
13. Shear arms
14. Top frame, head end
15. Control unit
16. Mattress retainer
17. Mattress support extension

Accessories

- Bed ends
- Bed end fittings
- Support handles
- Side rails
- Lifting pole
- Bumper wheels
- ACP box
- Limitation crossbar for leg end
- Backup battery

Operating the built-in mattress support extension


The **SB755™** can be extended respectively 5 and 10 cm in both head- and foot end, 20 cm in total. To be able to extend the bed, the hexagonal key must be used. The key is located on the inner side of the cross bar in the head end.

To extend the bed in the foot end, the following must be done:


1. The side rail is removed (see section 5).
2. Remove the two screws that holds the bed end bracket in the bed foot end by the use of the hexagonal key.
3. Pull out the bed end brackets 5 or 10 cm, and install/tighten both screws.
4. Loosen both screws that holds the mattress support extension, pull out the extension to desired position, and tighten both screws.
5. Replace the mattress or put in the mattress extension.
6. Install the side rail(s).

To extend the bed in the head end, the following must be done:


1. The side rail, a.o.b. the lifting pole are removed (see section 5).
2. Remove the two screws located approx. 20 cm from the bed section by using the hexagonal key.
3. Pull out the bed section brackets 5 or 10 cm, and install/tighten both screws.
4. Loosen both screws that holds the mattress support extension, pull out the extension to the desired position, and tighten both screws.
5. Replace the mattress or put in the mattress extension.
6. Install the side rail(s) and the lifting pole.



The screws for the mattress support extension must always be tightened - if not, there is risk of the lifting pole falling over, or that the patient can fall out of the bed.



Warning! In order to avoid entrapment / suffocation, it is essential to avoid extending the bed ends without extensioning the mattress support accordingly.



In order to avoid entrapment of fingers, there should be a distance of over 2,5 cm between bed end and outside of the mattress retainer

ACP Box (optional)

The hand control can be locked by activating the switch on the ACP box located in the head end of the bed.

To check if the locking function has been activated, depress the buttons on the hand control.

Open



Locked



Emergency release of the backrest or thigh/leg section

An emergency release of the backrest or thigh/leg section could be necessary in the case of e.g. power - or motor failure. An emergency release of the height adjustment is NOT possible!

- Remove the plug from the mains before emergency release of the mattress support.
- The mattress sections are released by pulling out the cotter pin from the motor in question.



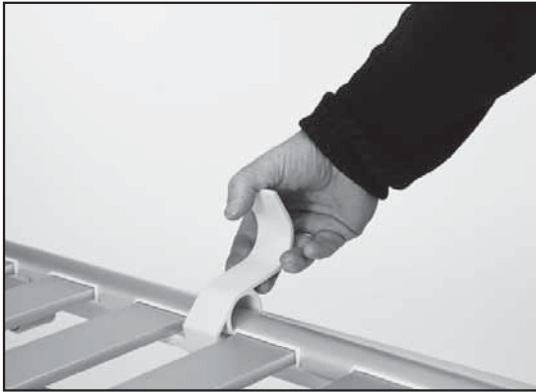
A minimum of 2 persons are required to release a mattress section.
Both persons hold the mattress section.
One of them pulls out the cotter pin.
Both slowly lower the mattress section until it is completely down.



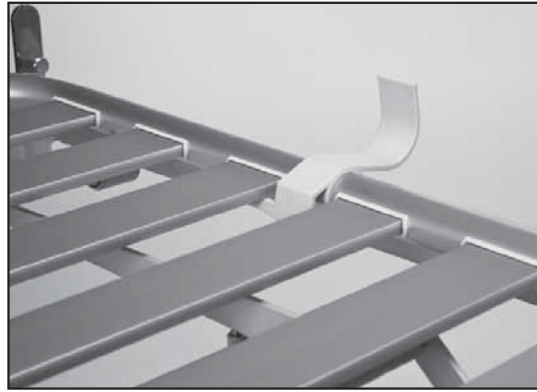
5. Fitting the accessories

The tools necessary for mounting/dismounting the accessories of the **SB755™** are an hexagonal key and an adjustable spanner. The hexagonal key is kept on the inner side of the cross bar at the head section of the top frame. The key is used for mounting/dismounting all fittings.

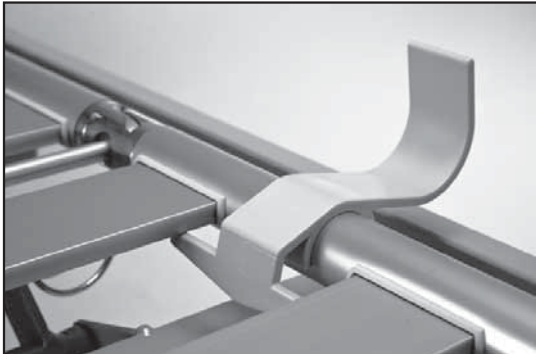
Mounting the mattress retainer



Mattress retainer is clipped down over the mattress frame



To be placed between third and fourth slat on leg section



To be placed between third and fourth slat on the backrest

Mounting the bed ends

Lift the bed end and place on the fittings at both sides. Push down to click into place. The locking pin must then be rotated and locked into position.



To avoid injury, it is essential the locking pins are engaged, to avoid the bed ends from falling off.

If the bed is used by restless (spasms) or confused persons, the Victoria bed end (with removal plate) must not be installed!

NB! It is recommended that the Line side rail is used in combination with Susanne, Maria, Sophie, Victoria and Emma bed ends. The steel side rails are optional (but are designed to be used with Oda and Piggy bed ends).

Dismounting of bed ends

Pull the locking pin out, and turn halfway to lock the pin.

Repeat on the other side.

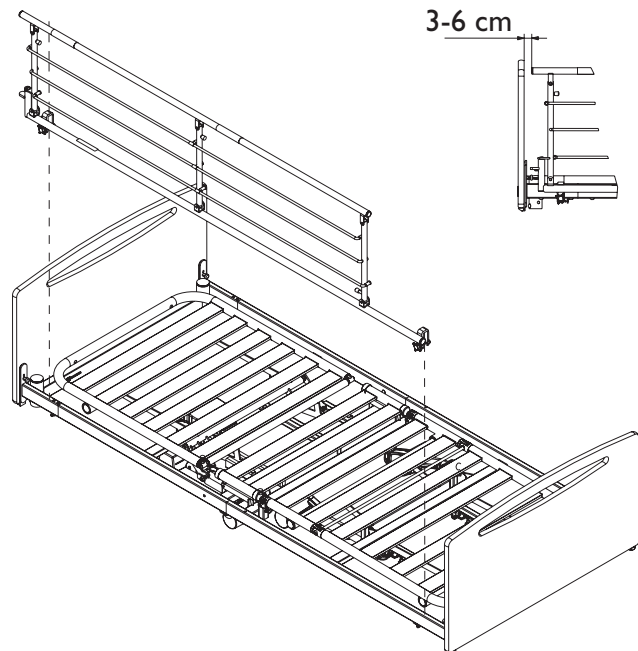
Pull the bed end up and out.



Mounting/dismounting the steel side rail

Mounting: Refer to the labelling on the side rail. Tighten the side rail with 2 finger screws.

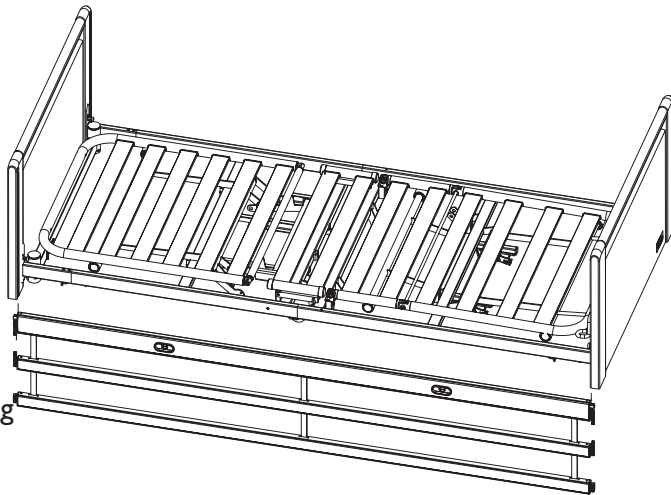
Dismounting: Loosen the finger screws, and remove the steel side rail.



When using steel side rails / support handles, it is essential for security reasons, that the distance from bed end to the upper edge of the side rail / support handle is either less than 6 cm or more than 25 cm.

Mounting the Line side rail

1. Mount one end at a time. Lift the upper bar (the release buttons must face up/outwards) **(A)**.
2. Press the locking pin at the end of the side rail with a finger.
3. All three gliding shoes at the end of the bars are guided into the bed end rail, until the lower bar has been locked, thereby preventing the side rail from falling down **(B)**.
4. Repeat points 2 and 3 when mounting the other end of the side rail.



GB



Warning! To avoid entrapment/suffocation or accidental fall accidents from the mattress support, it is essential that the gliding shoes are correctly guided into the bed end rails. Adjust the side rail bars by hand, to ensure they are mounted correctly.

A



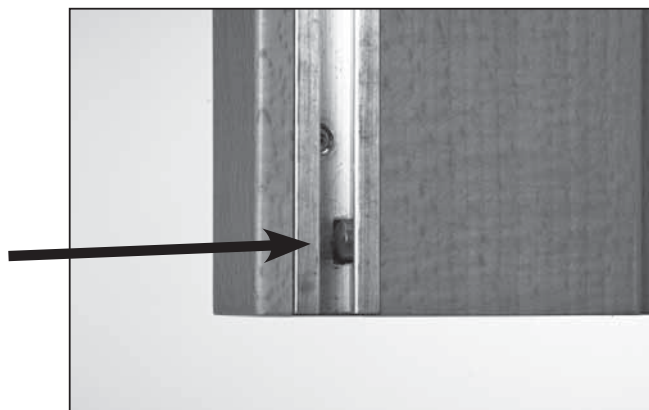
B



Dismounting the Line side rail

1. Lower the side rail.
2. Dismount one end at a time. Lift the lower bar, so that the spring pawl is visible.
3. Press the spring pawl with a key or a screwdriver **(C)**.
4. Hold the lower bar. Lower the side rail, until all three bars are free of the bed end rail.
5. Repeat points 2 to 4 when dismounting the other end of the side rail.

C



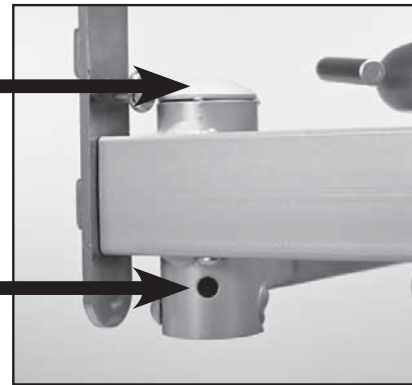
Fitting the lifting pole

Remove the plastic stopper in the lifting pole tube in which the lifting pole is to be mounted.

Mount the lifting pole - the finger screw must be used.

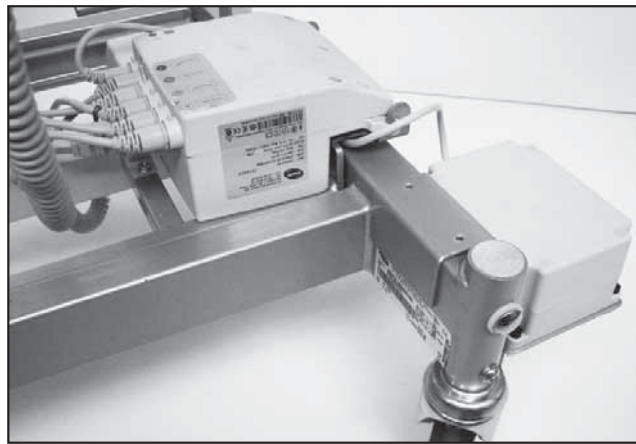
Lifting pole tube with plastic stopper

Finger screw



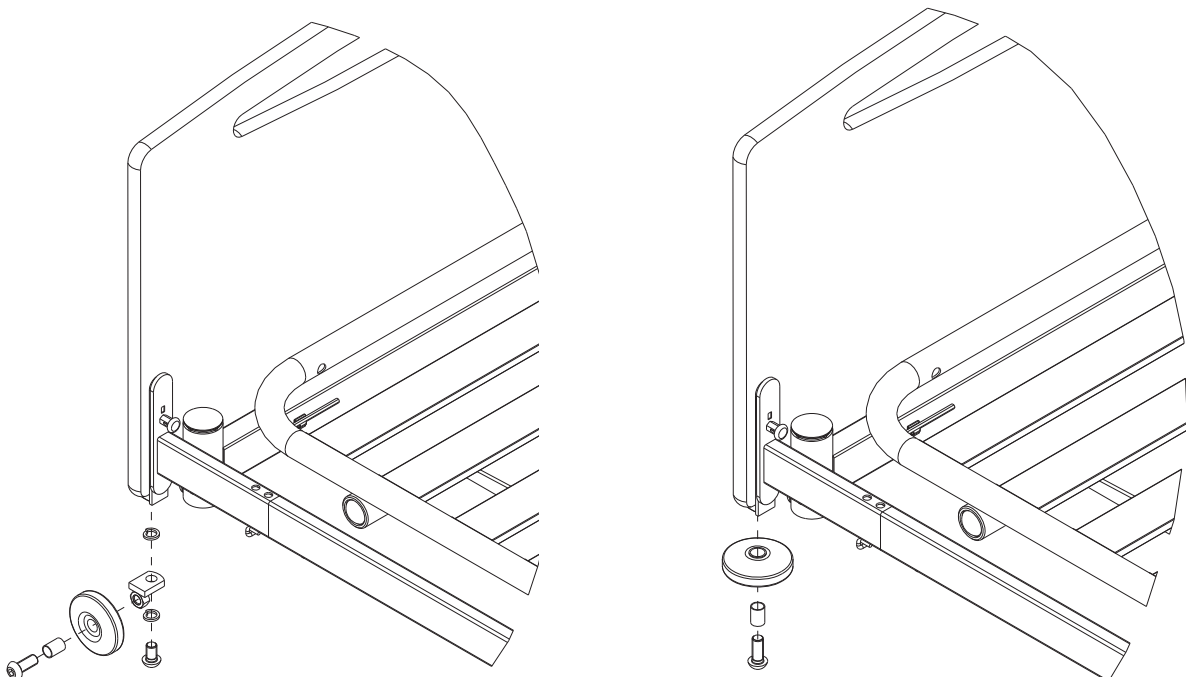
Mounting the backup battery

The bow containing the batteries must be installed on the bed's base next to the control unit, and the cable connected to the control unit. The batteries are charged as long as the control unit is connected to the mains, and will ensure that the bed can be adjusted during a power failure or transport.



Fitting the bumper wheels on Emma bed ends

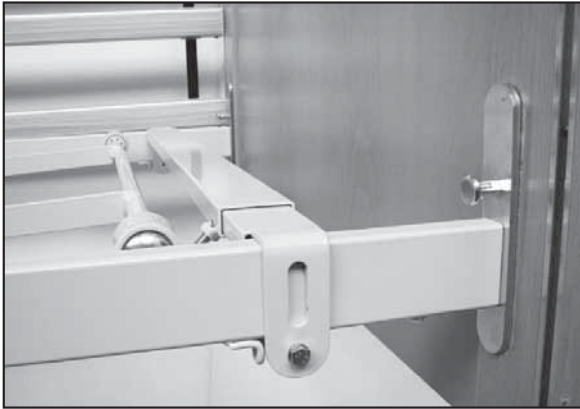
Mount the bushing in the bumper wheel, and fasten the bumper wheel with a screw into the bed end. Bumper wheels can not be mounted onto other bed ends.



Mounting the limitation crossbar under the leg section

The limitation crossbar limits the angle of the lower leg section and prevents the lower leg section from becoming lower than the outer frame of the bed.

The leg section of the mattress support is lifted, and the limitation crossbar is installed as shown, and the screws are tightened.



The limitation crossbar is placed here



The screws are tightened



Correctly mounted limitation crossbar

NB! The limitation crossbar is fitted, when the bed will be used for patients who have a particularly restless nature. And a judgement has been made by the healthcare professional that it is possible for the patient to become trapped between the lower leg section and the outer frame of the bed.

Mounting the ACP box

The ACP box can be placed as shown, on the bed end bracket, in the head end. The hand control cable is inserted into the ACP box, and the ACP box cable is connected to the controlunit.

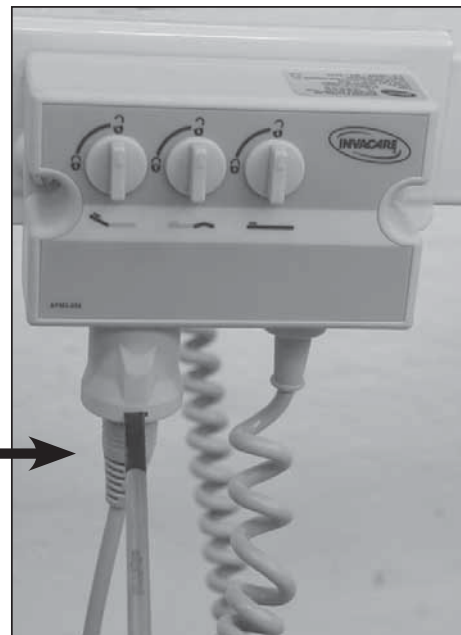


GB

Replacement of hand control fitted to the ACP-Box

The white locking ring on the ACP box is depressed, after which the hand control cable can be removed.

Removal of locking ring →



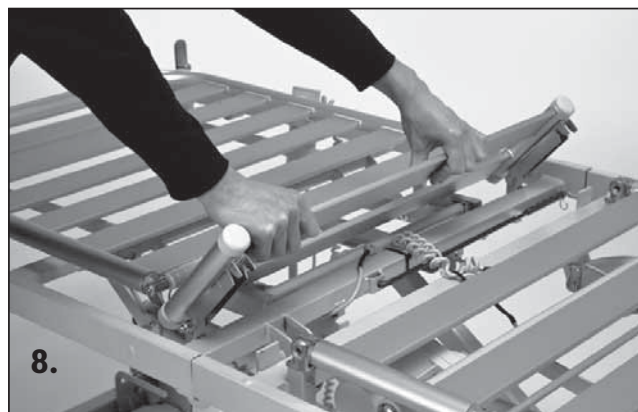
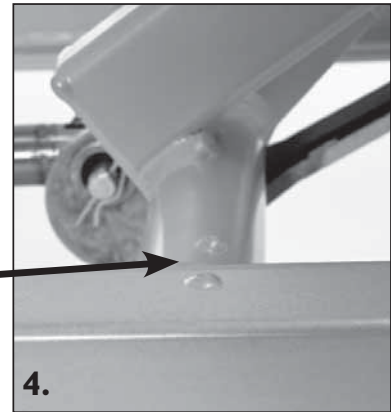
6. Disassembly/assembly of the SB755™



There is risk of entrapment or squeezing during assembly and dismantling of the bed.

Disassembly

1. Make sure that the castors have the brakes on.
2. Adjust the bed to a suitable height.
3. Dismount all accessories.
4. Run the bed to the marked height level, so that the cams on the base frame's guide way and the shear arms are opposite each other.
5. Disconnect the plug from the mains.
6. Remove the locking cam from the control unit.
7. Disconnect the plugs of backrest-, thigh- and leg motors and ensure that the cables are not caught in the base.
8. Lift up the seat section.



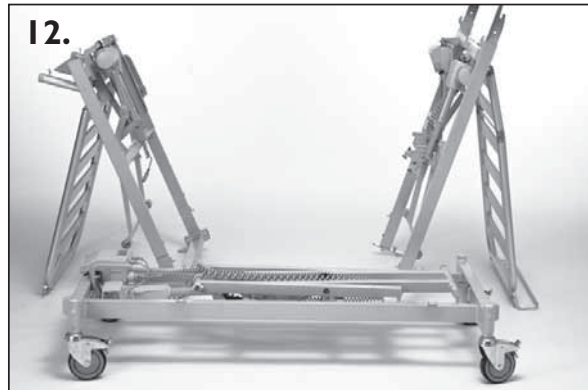
9. Pull out the head section to stop, and tip it down onto the floor



10. Release the 2 snap locks in the leg section by pulling out the locking pin and turning it clockwise.



11. Tip the leg section down, lift it away from the base, and place the section on the floor. Tip the head section away from the base, and place it onto the floor.

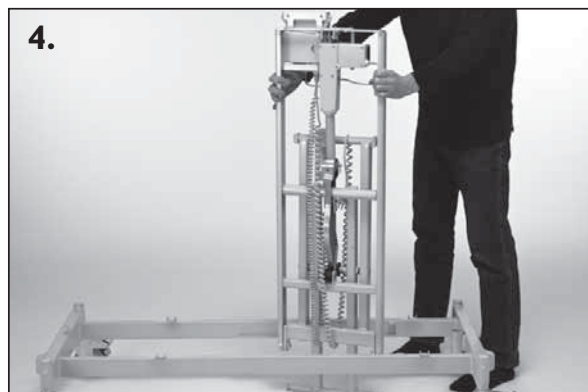
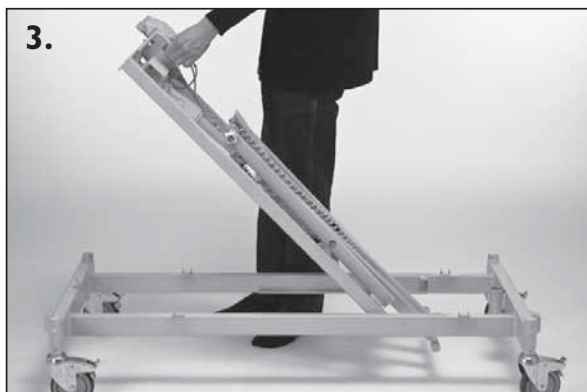
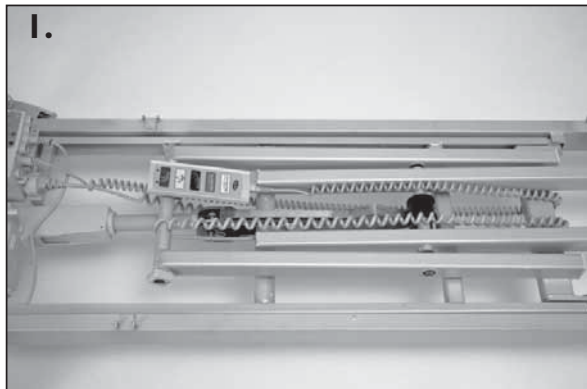



- 12 Plug the mains cord into the socket outlet, and adjust the bed's height completely down.

GB

The dividable base can be dismantled this way:

1. Hand control and control unit is tilted upwards and removed.
2. The snap lock at the control unit (in the head end of the base) is released.
3. The shear arm is raised to vertical by grabbing the handle, and is lifted away from the base.
4. Assembly is done in reverse order.



 To avoid person injury, it is essential, that the snap lock between base and shear arm is correctly engaged. Pay attention to the cables also - no cables must be trapped between shear arm and base.

Assembly

1. Make sure that the castors have their brakes activated.
2. The side rails and bed ends are removed from the transport hooks.
3. The transport hooks are folded up, and the distance rod is folded in.
4. Plug the mains cord into the socket outlet.

5. Run the bed to the marked height level, so that the cams on the base frame's guide way and the shear arms are opposite each other.

5.



6. Place the head section at control unit end of the base, and tip the head section, so the sliding shoes are guided into the guideways.

6.



7. Place the leg section, so that the two snap locks are guided into the two pivots on the shear arm, after which the leg section is tipped to horizontal. It is essential that the snap locks are engaged and locked, and that the inserts are located opposite to the openings in the head section.

7.



- 8. Lift the head section to horizontal, and push it over the inserts to stop.

8.



- 9. Push down the seat section, so the head and leg sections lock together.

9.



- 10. Connect the plugs from the backrest, thigh and leg section motors onto the control unit (refer to section 7 - Wiring), then attach the locking cam into place.

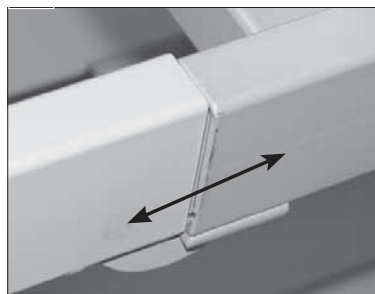
- 11. Mount the accessories.

Adjusting misaligned platform tubes

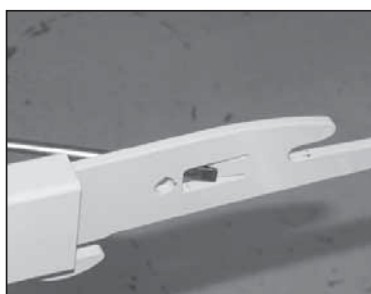
In the event that the side tubes are misaligned in the assembly, the inserts can be adjusted for better fit.

- 1. Slide the side tubes apart.
- 2. Use a large screwdriver to flip the little tongue 1-2mm.
- 3. Slide the side tubes along. Verify that the side tubes aligned.

1.



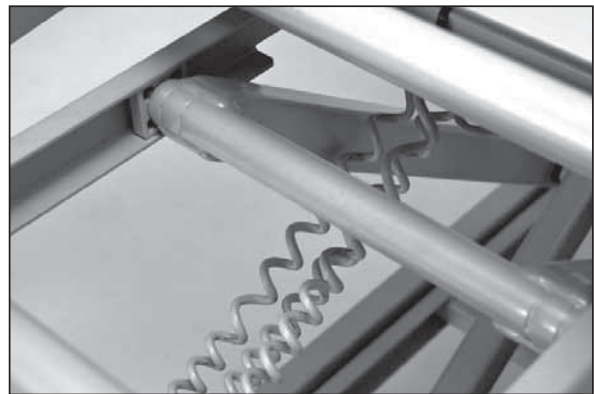
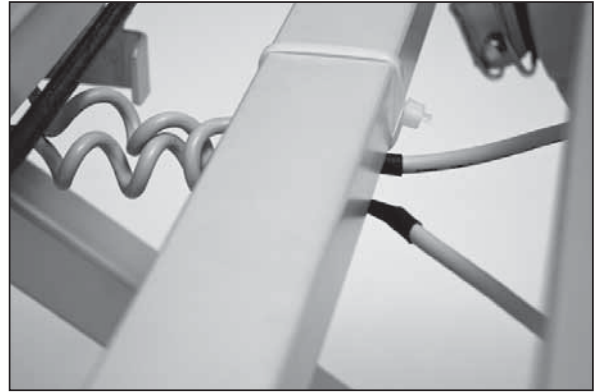
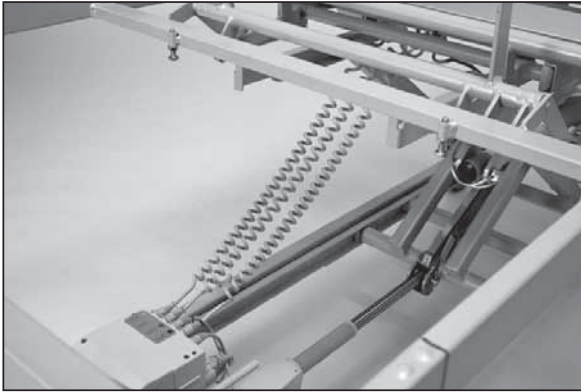
2.



3.



7. Wiring



Check the cabling by operating the motors of the bed to their outer positions.

When all wires have been correctly installed, there is no squeezing risk of the cables.

It is normal for cables to loosen slightly after short usage.

NB! The cables are equipped with plugs at both sections, hence, they can be replaced independently (except for the height motor). The cables are attached to the top frame with cable clips.

8. Order numbers for accessories

Article	Dimensions	Order no.:
WOODEN BED ENDS		
Susanne	85 cm	I 523502-XXXX
Susanne	90 cm	I 523501-XXXX
Susanne	105 cm	I 545468-XXXX
Susanne	120 cm	I 545522-XXXX
Susanne lowered	90 cm	I 524331-XXXX
Susanne lowered	105 cm	I 552234-XXXX
Susanne lowered	120 cm	I 552235-XXXX
Victoria	85 cm	I 523805-XXXX
Victoria	90 cm	I 523804-XXXX
Sophie	85 cm	I 523360-XXXX
Sophie	90 cm	I 523359-XXXX
Sophie lowered.....	90 cm	I 531343-XXXX
Emma	85 cm	I 523454-XXXX
Emma	90 cm	I 523453-XXXX
Emma	105 cm	I 545209-XXXX
Emma	120 cm	I 545467-XXXX
Anita	85 cm	I 523500-XXXX
Anita	90 cm	I 523473-XXXX
Anita lowered	90 cm	I 536044-XXXX

“XXXX” means that colour/wood type must be indicated.

Beech “0101, White pigmented “0105”, Cherry “0102”

SIDE RAILS

Line	I 522786-XXXX
Line extendable	I 522787-XXXX

BRITT V I 538458-XXXX

Scala Basic 2, Metal side rail (foldable).....	I 528930-0154
Scala Basic Plus 2, Metal side rail (foldable, with plastic insert)	I 529745-0154
Scala Medium 2, Metal side rail (foldable)	I 530436-0154
Scala Decubi 2, Metal side rail (foldable).....	I 530817-0154

“XXXX” means that colour/wood type must be indicated.

Beech “0125, White pigmented “0126”, Cherry “0127”

GB

Article	Dimensions	Order no.:
SUPPORT HANDLES		
Support handle	25x30 cm.....	021964-0154
Support handle	40x50 cm.....	021963-0154
LIFTING POLE		
Lifting pole		1542093-0154
LIMITATION CROSSBAR		
Limitation crossbar (prevents the leg section from being lowered below the level of the outer frame).....		1510820-0154
IV DRIP		
Drip rod		3000610.60030P0
Drip rod bushing (for mounting in lifting pole tube)		50.60910.00
Drip rod bracket (for mounting on top frame)		3000610.59570P0
BUMPER WHEELS		
Bumper wheels (one).....	Ø 75 mm.....	50.59600.00
Bumper wheels (one).....	Ø 100 mm.....	50.59610.00
Bumper wheels (one).....	Ø 150 mm.....	50.59640.00
Bumper wheels (one, vertical).....	Ø 100 mm.....	3000610.59630P0
ELECTRICAL ACCESSORIES		
Hand control Linak HB80		1531345-7035
Hand control Linak HL80 with ACP function.....		1531346-7035
Hand control Soft Control.....		1423983
ACP box with separate switch for 3 circuits		1526965-0154
ACP box with complete switch-off		1426922-0154
Back-up battery kit		1446370-0154
LOW - SLUNG SET		
Low-slung set with Ø 75 mm braking castor		021343-0154

Article	Dimensions	Order no.:
---------	------------	------------

MATTRESSES

Dacapo Basic (38 kg/m ³ foam with incontinence cover)	85x200x12	1432879
Dacapo Basic (38 kg/m ³ foam with incontinence cover)	90x200x12	1432878
Dacapo Combi (2 layer 50/38 kg/m ³ , Visco-elastic/cold foam, incontinence cover).....	85x200x14	1421489
Dacapo Combi (2 layer 50/38 kg/m ³ , Visco-elastic/cold foam, incontinence cover).....	90x200x14	1421490
Dacapo Top (50 kg/m ³ foam with incontinence cover)	85x200x7	1516954
Dacapo Top (50 kg/m ³ foam with incontinence cover)	90x200x7	1516955
Dacapo Comfort (53 kg/m ³ foam with incontinence cover)	85x200x12	1514894
Dacapo Comfort (53 kg/m ³ foam with incontinence cover)	90x200x12	1514897
Dacapo Comfort Plus (53 kg/m ³ foam with incontinence cover)	85x200x14	1523121
Dacapo Comfort Plus (53 kg/m ³ foam with incontinence cover)	90x200x14	1523122

SIDE RAIL COVERS

Scala Cover for Line side rail		1449588
Scala Cover for Line side rail, extra padded.....		1449589
Scala Cover for Line extendable side rail.....	205 - 210 cm.....	1449591
Scala Cover for Line extendable side rail	215 - 220 cm.....	1449592
Scala Cover for Line side rail, net.....		1449590
Scala Cover for Line extendable side rail, net.....	210 cm	1449593
Scala Cover for Line extendable side rail, net.....	215 - 220 cm.....	1449594
Scala Cover for metal side rail, Basic		1449423
Scala Cover for metal side rail, Basic, extra padded.....		1449417
Scala Cover for metal side rail, Medium and Decubi		1449419

Please only use original spare parts.

Spare parts list and extra user manual can be ordered from *Invacare*®.



9. Maintenance and check-ups

Service and maintenance of the **SB755TM** must only be performed by personnel who have received the necessary instruction or training.

With normal daily use, service must be carried out according to the service schedule, after 2 years of use and thereafter every second year.

When moving the bed, service must be carried out according to the service schedule.



Note! The top frame must be supported during service inspections to prevent accidental lowering.

We recommend a safety test comprising the motors' performance and mechanical state once a year.

Motors, hand control and control unit:

These parts are serviced by exchanging the faulty part.

10. Beds equipped with back-up battery

A bed with accumulator back up is equipped with an additional box next to the control unit.

Preventive maintenance

The accumulators have to be exchanged after 4 years. Depending on how the back-up is used the exchange may have to take place earlier. Frequent, sudden discharges reduce the back-up's life. It is recommended that the accumulators are tested at least once a year.

Accumulators are not damaged by continuous connection to the mains.

Exchanging the accumulators

Accumulators must be exchanged as sets and replaced with accumulators of the same type or mechanically and electrically compatible accumulators:

The accumulators are delivered as a pair under order no.: 818323 (12V - 1,2 Ah).

Accumulators must be new and charged at least every 6 months for maintenance purposes.

Accumulators in a set must have identical production codes.

Prior to insertion, make sure that the accumulator set is correctly connected cf. the drawing (in the accumulator box), and that none of the connections are loose.



Waste disposal

Old accumulators may be returned to *Invacare*[®], alternatively they are disposed of like car batteries.



Old or faulty accumulators may generate an explosive gas mixture during charging. The accumulator box is provided with vents to ensure adequate and necessary ventilation of the box. These vents must not be blocked or covered, as this may result in pressure build-up and following explosion.

Optional quick release headrest (CPR)

The quick release headrest is optional and is not installed as standard on all beds. The quick release handle is placed under the mattress support frame on the right hand side and is marked with this symbol:



GB

Use

Pull out the safety pin (downwards) and then pull the red handle outwards until the backrest is down.



Be aware, the backrest comes down fast. Do not reach under the backrest as there is risk of entrapment!



There is a risk of head injury if the patients head hits the bedend



The sudden movement of the backrest can cause spinal injury or cause wounds to open.

When the handle has been pushed completely back and the safety pin replaced, the backrest motor will work normally again.

Before use

In cases where beds with CPR function are considered, be aware that the bed should be placed so there is free access to the release handle on the right side of the bed.

It is recommended the caregiver makes themselves familiar with using the CPR function

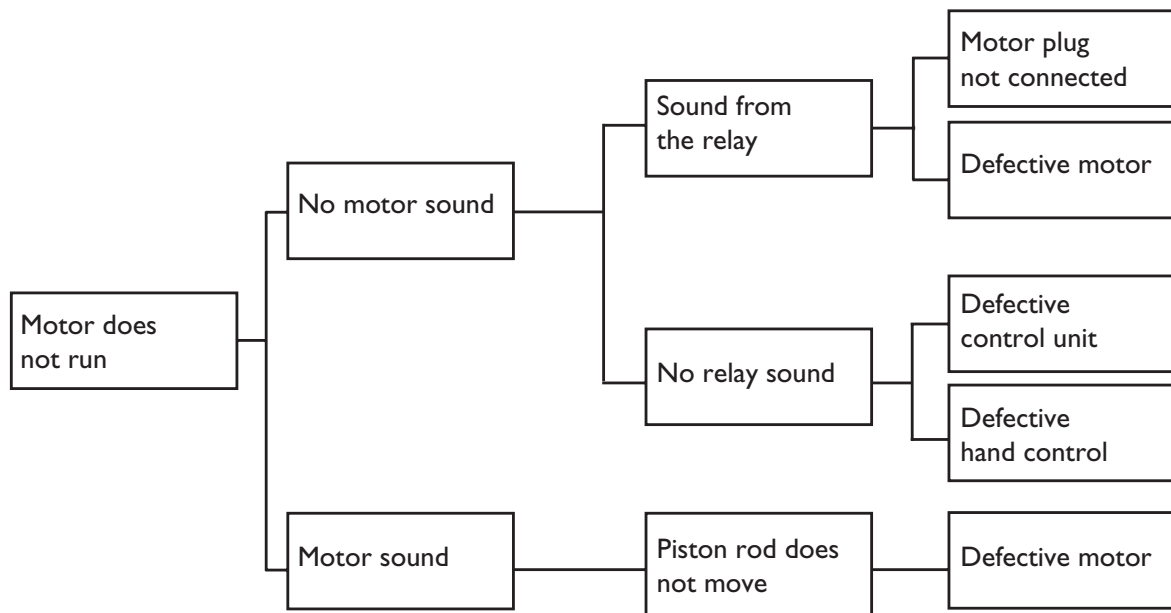
II. Maintenance chart

Service and maintenance of the SB755™ must only be performed by personnel who have received the necessary instruction or training						
S/N (located on mattress support): _____						
Date:	Initials:					
Circlips, cotter pins and plastic fixing ring checked.						
Screws tightened.						
Weldings checked.						
Side rail locking and moving system tested.						
Castor fittings tightened.						
Castor brakes checked.						
Height adjustment motor checked.						
Backrest motor checked.						
Thigh section motor checked.						
Leg section motor checked.						
Cables correctly suspended and undamaged. Plugs undamaged.						
Damaged coating repaired.						
Line side rail straps checked - must not be frayed or cracked. <i>NB! Line side rails' gliding system must not be lubricated with oil - otherwise the bars will move sluggishly.</i>						
Accessories checked.						

A service contract can be made in the countries, where *Invacare*® has its own sales company. In certain countries *Invacare*® offers courses in service and maintenance of the **SB755™**. Spare parts lists and additional user manuals are available from the *Invacare*® homepage. The motor cables on the mattress support can be replaced by pushing up the lock with a screwdriver, and pulling out the cable.

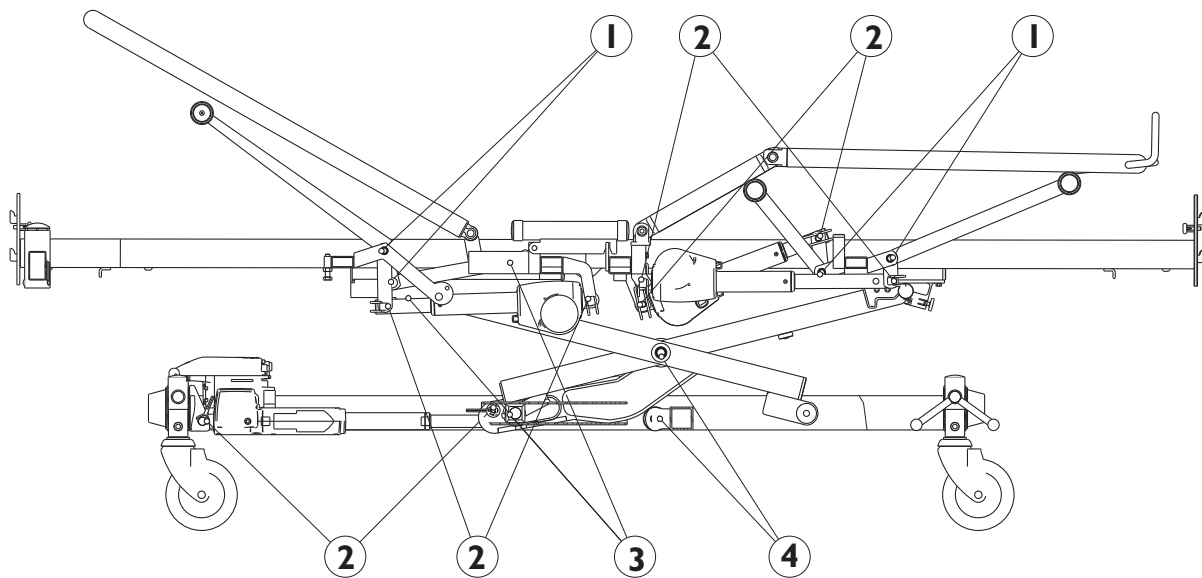
12. Trouble-shooting the electrical system

Note! Make sure that the mains cord is connected.



GB

13. Lubrication plan



We recommend lubricating the **SB755TM** according to the following instructions:

1. Bearings for lifting- and shear arms - lubricate with oil
2. Motor suspension - lubricate with oil
3. Gliders and guideways - lubricate with grease
4. Axles and rolls for shear arm (axle must be dismantled) - lubricate with grease



Lubricate with medically clean oil, e.g. Kemitura Kem Lub KEM-WO 50, order no.: 813239 and grease, order no.: 1497607.

14. Cleaning

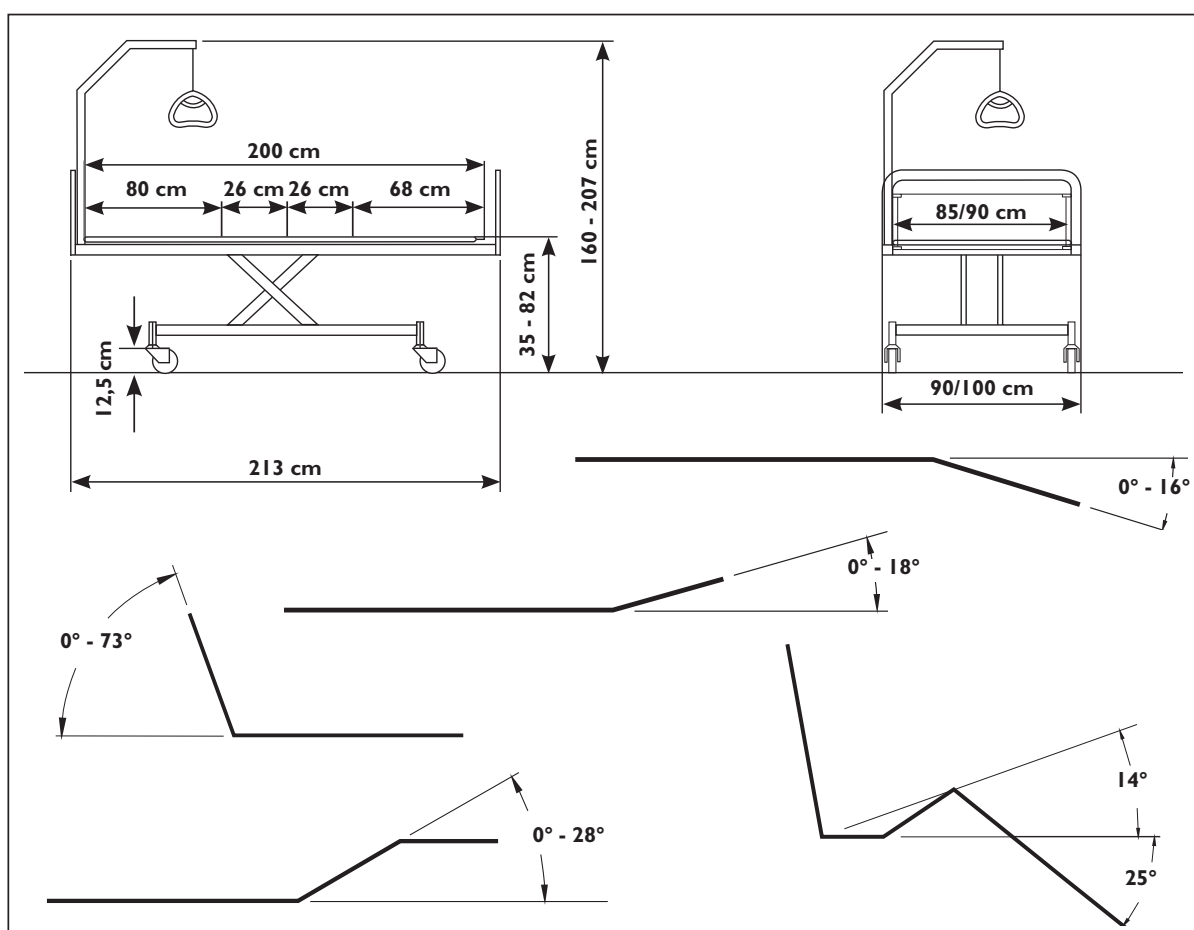
The **SB755™** cannot withstand cleaning in washing machines nor flushing with a water jet. Use ordinary disinfecting detergents. Dry the bed after cleaning. Never use acids, alkalines or solvents. Please make sure the power plug is removed from the socket outlet during cleaning.

The backrest and the leg/thigh sections can be lifted from the mattress support, which facilitates cleaning and access to the control unit.

Important details for cleaning IP66 hand control, control unit and motors:

Always clean with water and brush. Water may be pressurised, but never use high-pressure cleaning or steam cleaning directly on the electrical parts.

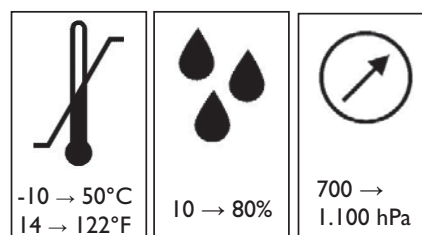
15. Technical specifications



All measurements are stated in cm. All angles are stated in degrees. All measurements and angles are stated without tolerances, on a non-extended bed. The bed can be extended respectively 5 and 10 cm's in both ends. *Invacare®* reserves the right to change the stated measurements and angles without warning.
Max. patient weight: 200 kg.

Transportation and storage conditions:

- Temperature between -10° and 50°C
- Humidity between 10 and 80 % RH
- Pressure between 700 and 1.100 hPa.



16. Electrical data

Voltage supply:	230 V AC/50 Hz.
Max. current input:	1,5 A.
Intermittent (periodic use of motors):	10%, max. 6 minutes/hour.
Max. accumulator capacity:	1,2 Ah.
Protection class:	IP 66.
Output:	70 VA.
Sound level:	55 dB (A).

Double insulated, class II, type B:



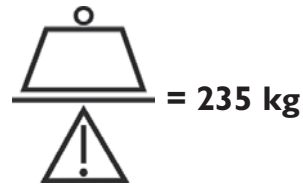
Alternating current:



Direct current:



Max. load (SWL)
(Patient + mattress + siderail + lifting pole
+ other equipment).



Max. patient weight: 200 kg.

The patient is not separated from
the ground and the chassis:



Refer to user manual:

Warning - safety related notes:



CE mark (an indication of compliance between the product
and the relevant demands in the Medical Directive MDD 93/42 EEC):



Potential equalization.



The control unit has no contact breaker, hence, disconnecting the mains plug is the only means of disconnecting the power supply.

17. Weight

Part	Approx. weight
Top frame, head, with mattress support	25 kg
Top frame, leg, with mattress support	25 kg
Base frame, non-dismantlable	40 kg
Base frame, dividable, without shear arm	18 kg
Shear arm for base	25 kg
Complete bed, excluding accessories	90 kg
Line side rail	4,5 kg/side
Line extendable side rail	6,5 kg/side
Scala steel side rail	7 kg/side
Lifting pole	6,5 kg
Emma bed ends	7 kg/pcs.
Victoria bed ends	10 kg/pcs.
Susanne, Sophie bed ends	8,5 kg/pcs.
Anita bed ends	9 kg/pcs.

18. Disposal

This product has been supplied from an environmentally aware manufacturer that complies with the Waste Electrical and Electronic Equipment (WEEE) Directive 2002/96/CE.

This product may contain substances that could be harmful to the environment if disposed of in places (land fills) that are not appropriate according to legislation.

The crossed out wheelie bin« symbol is placed on this product to encourage you to recycle wherever possible.

Please be environmentally responsible and recycle this product through your recycling facility at its end of life.

